

# 90cm Box Canopy Rangehood



---

## FEATURES

Aluminium baffle filters, LED light panel, 4 speeds,  
1000m<sup>3</sup>/hr extraction, Black glass fascia with touch controls,  
Pressure die cast aluminium motor

# Congratulations on your new InAlto 90cm Box Canopy Rangehood!

## INSTALLATION

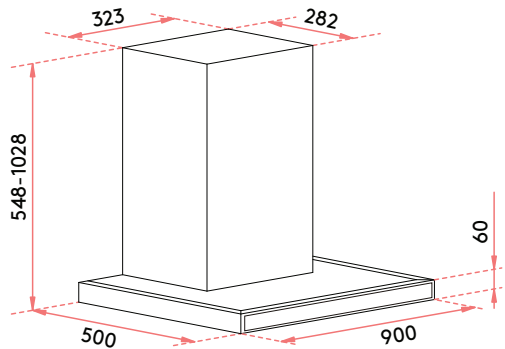
Please refer to the dimensions of your rangehood shown in the diagram below.

When positioning the rangehood for installation and use, we advise that the rangehood is mounted at a height of between 600–800mm above the cooking surface for safety and performance of your rangehood.

Gas cooktops must have a minimum of height of 650mm from the burner to the underside of the rangehood.

Electric cooktops must have a minimum of height of 600mm from the cooktop surface to the underside of the rangehood.

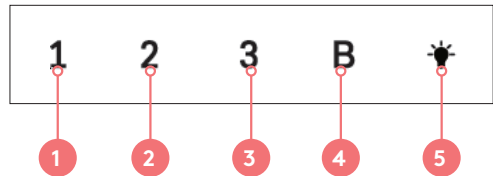
For a complete installation guide, refer to user manual pages 8–13.



## THE CONTROLS

Your Box Canopy Rangehood Controls

- 1 **Low speed setting**
- 2 **Medium speed setting**
- 3 **High speed setting**
- 4 **Boost setting**  
Your rangehood will perform at its highest speed for a duration of 5 minutes before changing to the 3rd speed automatically.
- 5 **Light on / off control**



For a complete guide on operating your rangehood, refer to user manual on page 14.

## DETAILS

Product Size (W, D, H):  
900mm x 500mm x 548–1028mm

## SUPPORT

Telephone: 1300 11 4357  
Email: [support@residentiagroup.com.au](mailto:support@residentiagroup.com.au)