

MODEL
IFLW50

5KG FRONT LOAD
WASHING MACHINE

INALT^o

CLASSIQUE

V 1.0

USER MANUAL

Welcome

Residentia Group Pty Ltd

ACN. 600 546 656

165 Barkly Avenue

Burnley, Victoria

Australia 3121

–

Applico Ltd

635 Great South Road

Penrose, Auckland 1061

New Zealand

Congratulations on purchasing your new appliance!

The InAlto brand is proudly distributed within Australia by Residentia Group Pty Ltd and within New Zealand by Applico Ltd.

Please refer to the warranty card at the rear of this manual for information regarding your product's parts and labour warranty, or visit online at:

- www.residentia.group
- www.applico.co.nz
- www.inalto.house

Both Residentia Group & Applico are customer obsessed and our Support Teams are there to ensure you get the most out of your appliance. Should you want to learn more about recommended usage, the various features of your appliance, and importantly taking care of the unit when cleaning, our Support Teams are here to help.

Telephone Contacts:

- AU: 1300 11 4357
- NZ: 0800 763 448

It is important that you read through the following use and care manual thoroughly to familiarise yourself with the installation and operation requirements of your appliance to ensure optimum performance.

Again, thank you for choosing an InAlto appliance and we look forward to being of service to you.

Contents

**02
Welcome**

**04
Safety
Instructions**

**06
Installation
Instructions**

**08
Your InAlto
Washing
Machine**

**11
Quick
Start Guide**

**12
Operation
Instructions**

**14
Cleaning &
Maintenance**

**16
Troubleshooting**

**17
Technical
Specifications**

**18
Receipt**

**19
Purchase Details**

**20
Warranty
Information**

Safety Instructions

CONDITIONS OF USE

- This appliance is intended to be used in household and similar applications such as farm houses or by clients in serviced apartments, holiday apartments and other residential type environments.

SAFETY INSTRUCTIONS

- Before the installation and use of the appliance, carefully read the supplied instructions.
- The manufacturer is not responsible if an incorrect installation and use causes injuries and damages.
- Always keep the instructions with your appliance for future reference.
- For your safety, the information in this manual must be followed to minimise the risk of fire or explosion, electric shock, or to prevent property damage, personal injury or loss of life.
- You will see the following in your manual:

WARNING: This indicates a potentially dangerous situation which may result in death or serious injuries.

CAUTION: This indicates a potentially dangerous situation which may result in slight or minor injuries or damage to property and the environment.

NOTE: This indicates a potentially dangerous situation which may result in damaging the appliance or minor injuries.

ELECTRICAL CONNECTION

WARNING: Risk of fire or electrical shock!

- If the supply cord is damaged, it must be replaced by the manufacturer, its service agent or similarly qualified persons in order to avoid a hazard.
- The new hose-sets supplied with the appliance are to be used and that old hose-sets should not be reused.
- Before any maintenance the device, unplug the appliance from the mains.
- Always unplug the machine and turn off the water supply after use. The max. inlet water pressure, in pascals. The min. inlet water pressure, in pascals.
- To ensure your safety, power plug must be inserted into an earthed three-pole socket. Check carefully and make sure that your socket is properly and reliably earthed.
- Make sure that the water and electrical devices must be connected by a qualified technician in accordance with the manufacturer's instructions and local safety regulations.

CHILDREN & VULNERABLE PEOPLE SAFETY

WARNING: Risk of suffocation, injury or permanent disability.

- This appliance can be used by children aged from 8 years and above and persons with reduced physical, sensory or mental capabilities or lack of experience and knowledge if they have been given supervision or instruction for the operation of the appliance by a person who is responsible for their safety.
- Do not let children play with the appliance.
- Keep all packaging away from children.
- Keep all detergents away from children.
- Keep children and pets away from the appliance door when it is open.
- Cleaning and user maintenance shall not be made by children without supervision.
- Glass door may be very hot during the operation. Keep kids and pets far away from the machine during the operation very wet rooms as well as in the rooms with explosive or caustic gas.

WARNING: Risk of explosion!

Do not wash or dry articles that have been cleaned in, washed in, soaked in, or dabbed with combustible or explosive substances (such as wax, oil, paint, gasoline, degreasers, dry-cleaning solvents, kerosene, etc.) This may result in fire or explosion

- Thoroughly rinse items of washing by hand beforehand.

INSTALLATION

- Remove all the packaging.

NOTE: Remove all packages and transport bolts before using the appliance. Otherwise, serious damage may result.

- Do not install or use a damaged appliance.
- Plug must be accessible after installation.
- Make sure that the floor where you install the appliance is flat, stable, heat resistant and clean.
- Plug must be accessible after installation
- This washing machine is for indoor use only
- It is not intended to be installed built-in.
- When the appliance is put in its permanent position, check if it is fully level with the aid of a spirit level. If it is not, adjust the feet until it is.
- Washing machine should not be installed in bathrooms or very wet rooms as well as in the rooms with explosive or caustic gases.
- The washing machine with single inlet valve only can be connected to the cold water supply. The product with double inlet valves should be correctly connected to the hot water and cold water supply.

APPLIANCE USE

WARNING: Risk of fire, explosion, electric shock or damage to the appliance.

-
- Use this appliance in a household only.
- Before operating this appliance, ensure that all packaging and transport bolts have been removed. Otherwise, serious damage can occur to the appliance.
- Before washing any clothes for the first time, the washing machine should be operated for one whole cycle without any clothes inside.
- Do not climb up or sit on top of the appliance.
- Do not change the specification of this appliance.
- If you use fabric softener or similar products, obey the instructions on the packaging.
- Do not sit or stand on the open door.
- Obey the maximum load volume of 5.0 kg (refer to the “Programme chart” chapter).
- Ensure all objects are removed from clothing pockets such as lighters and matches.
- Please only use front load washing machine detergents. Flammable and explosive or toxic solvents are forbidden for use with this appliance. Gasoline and alcohol should not be used as a detergent.
- Please check whether the water inside the drum has been drained before opening its door. Please do not open the door if there is any water visible.
- Be careful to avoid burns when the machine drains hot washing water.
- Never refill the water by hand during washing.
- After a wash program completes, please wait two minutes before opening the door.
- If a tumble dryer is installed on top of the washing machine, use the suitable stacking kit. The stacking kit, available from your authorized vendor, can be used only with the appliance specified in the instructions, supplied with the accessory. Read it carefully before installation (Refer to the Installation leaflet).
- Please do not close the machine door with excessive force and if you find it difficult to close the door, ensure that the clothing load isn't excessive.

TRANSPORT

- Always move the appliance cautiously. Do not use the machine door or the handle of the detergent dispenser, to lift the appliance.
- Transportation bolts should be reinstalled within the machine by a specialised person, prior to transporting the appliance.
- Ensure that all accumulated water is drained from the appliance before moving.

CARE & CLEANING

WARNING: Risk of injury or damage to the appliance.

- Before maintenance, deactivate the appliance and disconnect the mains plug.
- Do not use water spray and steam to clean the appliance.
- Clean the appliance with a moist soft cloth. Only use neutral detergents. Do not use abrasive products, abrasive cleaning pads, solvents or metal objects.

PRODUCT DISPOSAL

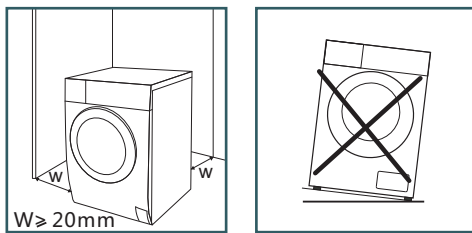
- Disconnect the appliance from the mains supply.
- Cut off the mains cable and discard it.
- Remove the door catch to prevent children and pets to get closed in the appliance.

Installation Instructions

INSTALLATION POSITIONING

WARNING:

- Stability is important to prevent the product from wandering!
- Make sure that the appliance is not installed on top of the power cord.
- Ensure that your appliance is installed on solid and flat ground, in a level position.
- Please do not place the appliance on a slope, soft carpet or wooden floor.
- Your appliance should only be installed within an internal environment.
- Do not install the appliance outdoors, in direct sunlight or near heat resources such as coal or gas.
- Ensure there is sufficient amount of ventilation and the room temperature is about 0 °C.

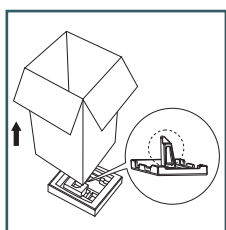


UNPACKING THE WASHING MACHINE

WARNING:

- Packaging material (e.g. Films, Styrofoam) can be dangerous for children.
- There is a risk of suffocation! Keep all packaging well away from children.

1. Remove the cardboard box and Styrofoam packing.
2. Lift the washing machine and remove the base packing. Make sure the small triangle foam is removed with the bottom one together. If not, lay the unit down with side surface, then remove the small foam from the unit bottom manually.
3. Remove the tape securing the power supply cord and drain hose.
4. Remove the inlet hose from the drum.



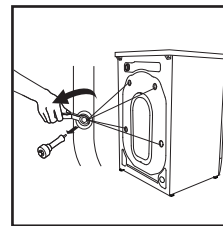
REMOVING THE TRANSPORT BOLTS

WARNING:

- You must remove the transport bolts from the rear of the appliance before using the product.
- You'll need the transport bolts again if you move the appliance, so make sure you keep them in a safe place.

Please take the following steps to remove the bolts:

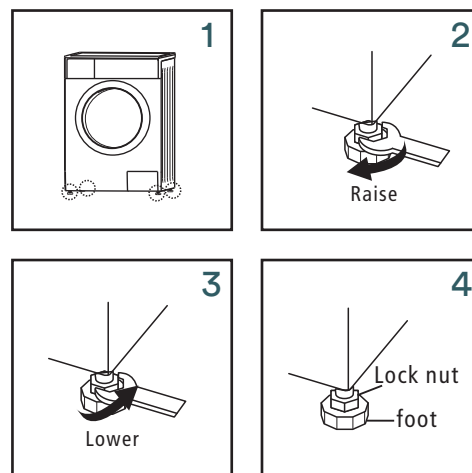
- Loosen all bolts with a spanner and then remove them.
- Use the plugs (supplied) to plug the holes.
- Keep the transport bolts for future use.



LEVELLING THE WASHING MACHINE

WARNING:

- The lock nuts on all four feet must be screwed tightly against the housing.
- Check if the legs are closely attached to the cabinet. If not, please turn them to their original positions tighten the nuts.
- Loosen the lock nut turn the feet until it closely contacts with the floor.
- Adjust the legs and lock them with a spanner, make sure the machine is steady.



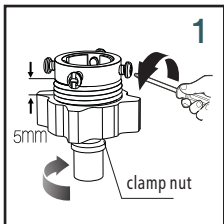
CONNECTING THE WATER SUPPLY HOSE

WARNING:

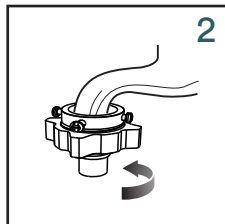
- To prevent leakage or water damage, follow the instructions in this chapter!
- Do not kink, crush, modify or sever water inlet hose.
- For models which equips hot valve, connect it to hot water tap with hot water supply hose. Energy consumption will decrease automatically for some programs.

Connect the inlet pipe as indicated.
There are two ways to connect the inlet pipe:

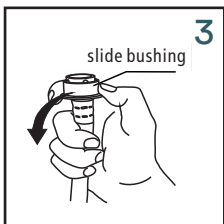
1. Connection between ordinary tap and inlet hose.



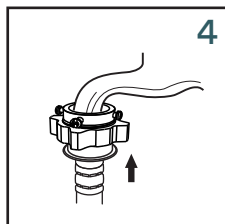
Loosen clamp nut and four bolts



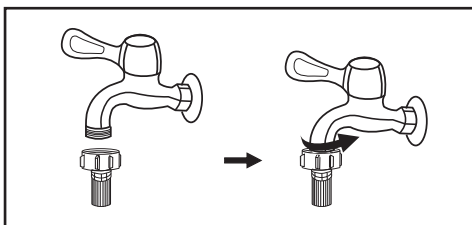
Tighten clamp nut



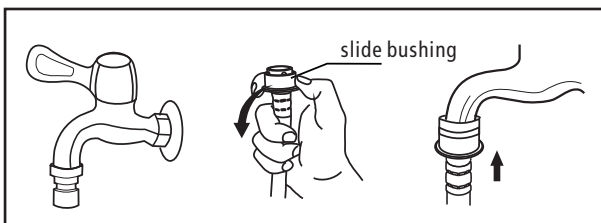
Press slide bushing, Connection finished insert inlet hose into connecting base



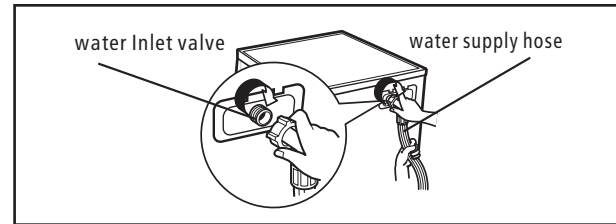
2. Connection between screw tap and inlet hose.



Tap with threads and inlet hose



Special tap for washing machine



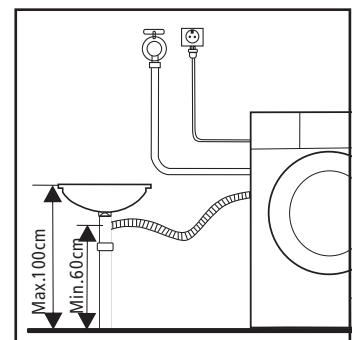
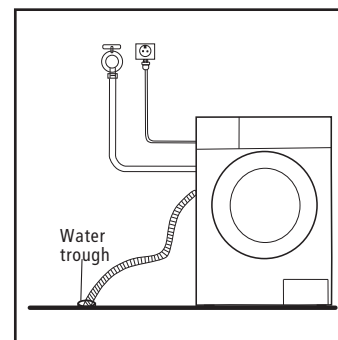
Connect the other end of inlet pipe to the inlet valve at the backside of product and fasten the pipe tightly clockwise.

THE DRAIN HOSE

WARNING:

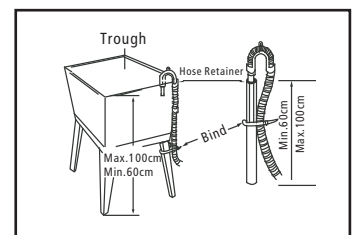
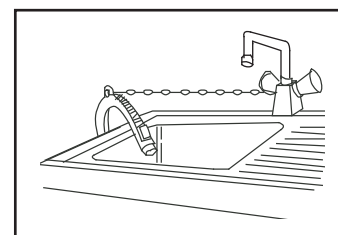
- Do not kink or protract the drain hose
- Position drain hose properly, otherwise damage might result of water leakage.

There are two ways to place the end of drain hose:



NOTE:

- If the machine has drain hose support, please install it like the following:

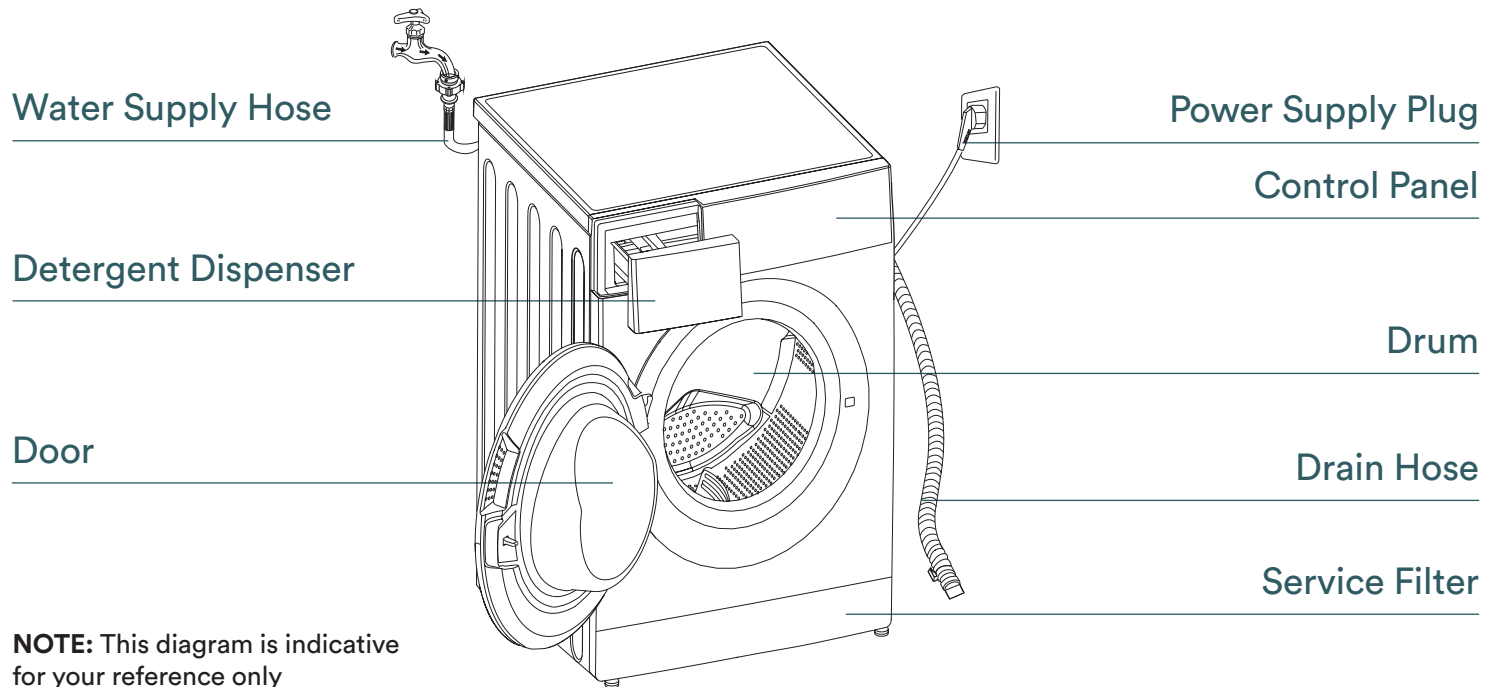


WARNING:

- When installing drain hose, fix it properly with a rope.
- If drain hose is too long, do not force it into washing machine as it will cause abnormal noises.

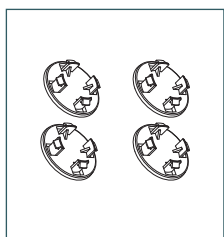
Your InAlto Washing Machine

PRODUCT DESCRIPTION

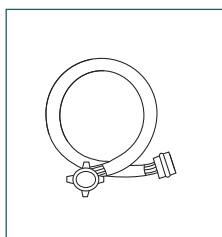


NOTE: This diagram is indicative for your reference only

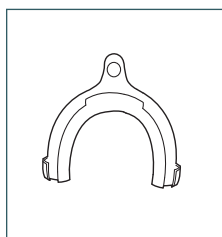
ACCESSORIES



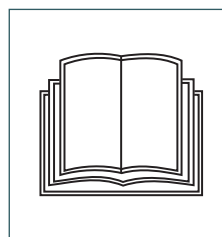
Transport Hole Plugs



Cold Water Supply Hose



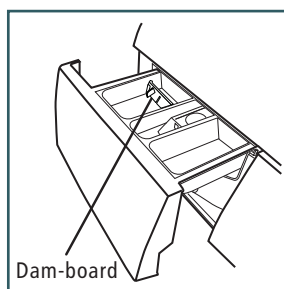
Drain Hose Support



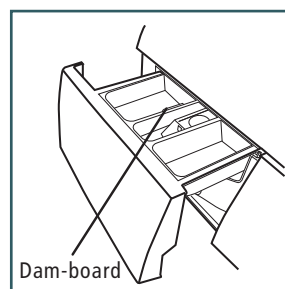
User Manual

DETERGENT DISPENSER

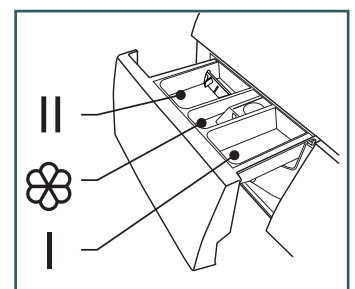
- I Pre-wash detergent.
- II Main detergent compartment.
- ☼ Fabric softener compartment.



Liquid detergent



Powder detergent



Pull out the dispenser

NOTE: Please see table on page 11 for detergent use recommendations

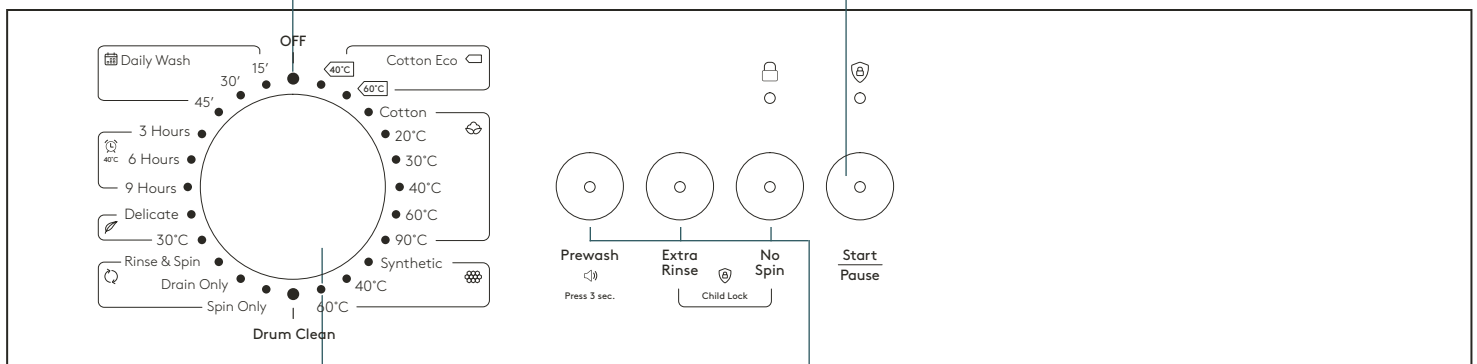
CONTROL PANEL

Off

Product is switched off

Start / Pause

Press the button to start or pause the wash cycle



Program Selector

Turn the dial to select your desired wash cycle program

Additional Options

These buttons will allow you to select additional wash functions and will light up when selected

ADDITIONAL OPTIONS

Prewash:

The Prewash function can get an extra wash before main wash, it is suitable for washing the dust rises to surface of the clothes. You need to put detergent into the Case (I) when select it.

Extra Rinse:

The laundry will undergo one extra rinse when choosing this option.

No Spin:

The machine will not spin if you choose this function.

Mute:

Hold the Prewash button down for 3 seconds to mute the machine's alert. Perform the same action again to unmute. The machine will keep this setting until the next reset.

Child Lock:

After selecting your desired wash programs and start the cycle, hold the Extra Rinse and No Spin buttons at the same time for 3 seconds to activate Child Lock. Perform the same action again to disable Child Lock.

THIS PAGE IS INTENTIONALLY LEFT BLANK

Quick Start Guide

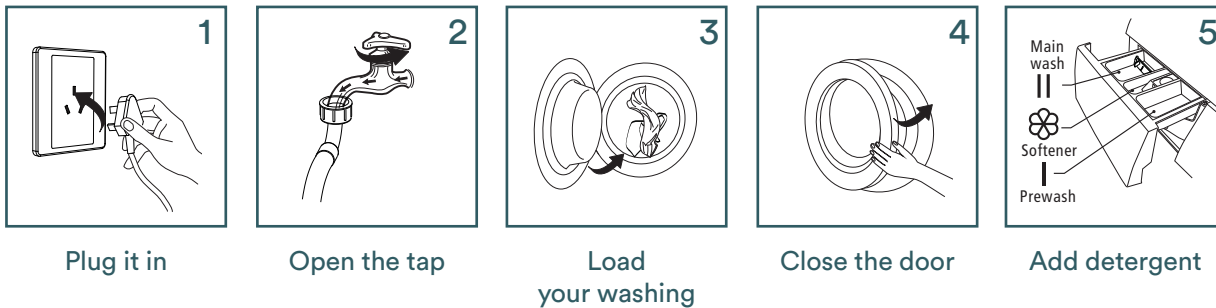
CAUTION:

- Before washing, please ensure all installation instructions are followed correctly!
- Please operate the washing machine with one full cycle without any clothes before washing for the first time.

QUICK START:

Follow the procedure below to operate your washing machine.

1. Before washing:



Plug it in

Open the tap

Load
your washing

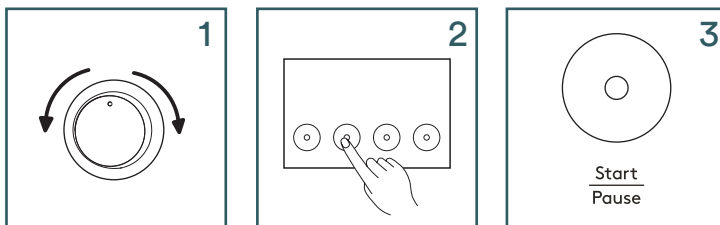
Close the door

Add detergent

NOTE:

Detergent only need to be added in "case I" after selecting pre-washing for machines with this function.

2. Washing:



Turn the dial
to your desired
wash cycle
program

Select any
extra additional
functions for your
wash cycle

Start the
wash cycle

NOTE:

Step 2 can be skipped if you would like to run the default wash cycle.

3. After washing:

Depending on the washing machine model, it will alert or the buttons will flash to indicate that the wash cycle has ended.

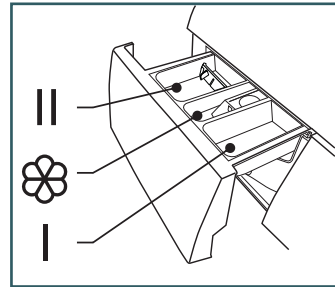
Operation Instructions

PREPARATION BEFORE WASHING CLOTHES

Please follow these steps carefully to avoid trouble with your washing machine and damaging your clothing.

Washing Considerations

- The working condition of the washer should be between 0-40°C. If operated under 0°C, the inlet valve and draining system may be damaged. If the machine is placed under condition of 0°C or less, then it should be transferred to normal ambient temperature to ensure the water supply hose and drain hose are not frozen before use.
- Please check the labels and the explanation of using detergent before wash. Use non-foaming or low-foaming detergent suitable for machine washing properly.
- Always check the labels for laundry washing recommendations
- Ensure all pockets are empty and there are no items in them.
- Tie a knot in long strings, zip up zippers and do up buttons.
- Place smaller items into a laundry bag.
- Turn easy-pilling and long-pile fabric inside out.
- Separate clothes of different textures.



WARNING:

- When washing a single clothes, it may easily cause great eccentricity and give alarm due to great unbalance. Therefore it is suggested to add one or two more clothes to be washed together so that draining can be done smoothly.
- Don't washing the clothes in contact with kerosene, gasoline, alcohol and other flammable materials.

Detergents

- Only use suitable front load washing machine detergents with this appliance. Powders and liquid detergents only.
- Only ever use the recommended quantity of detergent, as per the manufacturer's guidelines, as an excessive quantity can cause excessive bubbles and overflow to occur.
- It can also result in detergent residue remaining on the clothing after completion of the wash cycle.
- **WARNING:** Always keep detergents and additives out of reach from children.
- **CAUTION:** Detergent only needs to be added in case "I" after selecting the Prewash function.
- For the agglomerated or ropy detergent or additive, before they are poured the detergent box, it is suggested to use some water for dilution to prevent inlet of detergent box from being blocked and overflowing while filling water.
- Please choose suitable type of detergent for the various washing temperature to get the best washing performance with less water and energy consumption.

Program	I	II	☼
Cotton Eco 40 °C	—	Required	Optional
Cotton Eco 60 °C	—	Required	Optional
Cotton	Optional	Required	Optional
Cotton 20 °C	Optional	Required	Optional
Cotton 30 °C	Optional	Required	Optional
Cotton 40 °C	Optional	Required	Optional
Cotton 60 °C	Optional	Required	Optional
Cotton 90 °C	Optional	Required	Optional
Synthetic	Optional	Required	Optional
Synthetic 40 °C	Optional	Required	Optional
Synthetic 60 °C	Optional	Required	Optional
Drum Clean	—	—	—
Spin Only	—	—	—
Drain Only	—	—	—
Rinse & Spin	—	—	Optional
Delicate 30 °C	—	Required	Optional
Delicate	—	Required	Optional
End in 9hrs	—	Required	Optional
End in 6hrs	—	Required	Optional
End in 3hrs	—	Required	Optional
Daily Wash 45'	—	Required	Optional
Daily Wash 30'	—	Required	Optional
Daily Wash 15'	—	Required	Optional

WASHING PROGRAMS

Selecting the main washing program depend on the types of clothing to be washed, as follows:

Cotton

Hard-wearing textiles, heat-resistant textiles made of cotton or linen.

Synthetic

Wash synthetic articles, for example: shirts, coats, blending. While washing the knitting textiles, detergent quantity shall be reduced due to its loose string construction and easily forming bubbles.

Daily Wash

It is suitable for washing few and not very dirty clothes quickly.

Cotton Eco

This procedure saves energy and limits the washing temperature to 40°C or 60°C. To increase the washing effects, washing time is increased.

Ends in

The function can be set with this program, the total time including washing time and delaying time is 3h,6h or 9h.

Delicate

For delicate, washable textiles, e.g. made of silk, satin, synthetic fibers or blended fabrics.

Drum Clean

It applies 90 °C high temperature sterilisation to improve the washing results. When this procedure is performed, the clothes or other washing cannot be added. When proper amount of chlorine bleaching agent is put in, the barrel cleaning effect will be better. You can use this program regularly according to your needs.

Spin Only

This procedure provides a spin only option. Residual soapy water shall be drained out before spinning.

Rinse & Spin

This procedure provides a short rinse cycle followed by a spin cycle.

Drain Only

This procedure provides a drain only option.

Mix

You can select this procedure wash the tough clothes, that need much more time and strength. It is used for the daily clothes for cotton, such as sheets, pillowcases bathrobe and underwear. **Washing Programs Table**

Program	5kg Load	Temp. (°C)	Default Time (6/7.5)
Cotton Eco 40°C	5.0	40	1:39
Cotton Eco 60°C	5.0	60	4:54
Cotton	5.0	Cold	1:35
Cotton 20°C	5.0	20	1:19
Cotton 30°C	5.0	30	1:20
Cotton 40°C	5.0	40	1:40
Cotton 60°C	5.0	60	1:45
Cotton 90°C	5.0	90	2:40
Synthetic	2.5	Cold	1:18
Synthetic 40°C	2.5	40	1:33
Synthetic 60°C	2.5	60	1:43
Drum Clean	—	90	1:21
Spin Only	5.0	—	0:12
Drain Only	—	—	0:01
Rinse & Spin	5.0	—	0:31
Delicate 30°C	2.5	30	1:00
Delicate	2.5	Cold	0:55
9 Hours	5.0	40	1:13
6 Hours	5.0	40	1:13
3 Hours	5.0	40	1:13
Daily Wash 45'	2.0	30	0:45
Daily Wash 30'	2.0	20	0:30
Daily Wash 15'	2.0	Cold	0:15

Note:

1. Energy test program: Cotton ECO 60°C, Speed: the highest speed; Other as the default, Half load 2.5kg.
2. "Cotton ECO 60°C" is the standard washing programs to which the information in the label and the fiche relates, and they are suitable to clean normally soiled cotton laundry and that they are the most efficient programs in terms of combined energy and water consumptions for washing that type of cotton laundry, that the actual water temperature may differ from the declared cycle temperature.
3. The parameters in this table are only for user's reference. The actual parameters maybe vary with the parameters in above mentioned table.

Cleaning & Maintenance

CLEANING PROCEDURES

WARNING: Before beginning any cleaning or maintenance, always ensure the appliance is switched off, the power plug is removed from the power outlet and the water supply has been closed.

CLEANING THE CABINET

Proper maintenance of your washing machine will keep it looking as new and extend its working life.

- The exterior surface can be cleaned with household cleaners and a soft damp cleaning cloth.
- If there is any residual water at the completion of a washing program, please use a cloth to wipe it off immediately.

Note: Never use solvents or harsh cleaning chemicals on your washing machine's exterior. Formic acid and its diluted solvents or equivalent are forbidden, such as alcohol, solvents or chemical products, etc.

CLEANING THE DRUM

Should any rust form on the inside drum (i.e. water was left to sit for an extended period of time), please remove immediately using a chlorine free detergent. Never use steel wool or a harsh abrasive.

NOTE: Don't put laundry in the washing machine during the drum cleaning.

CLEANING THE DOOR SEAL AND GLASS

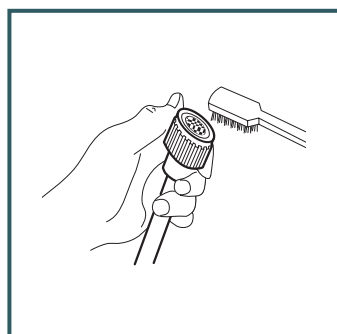
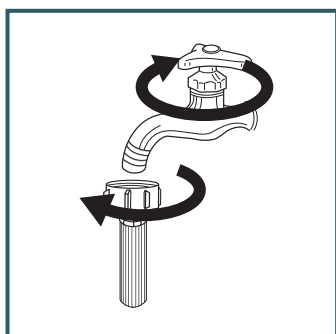
Wipe the glass and seal after each wash to remove lint and stains. If lint builds up it can cause leaks. Remove any coins, buttons and other objects from the seal after each wash.

CLEANING THE INLET FILTER

NOTE: Inlet filter must be cleaned if there is less water.

Washing the filter in the tap:

1. Close the tap.
2. Remove the water supply hose from the tap.
3. Clean the filter.
4. Reconnect the water supply hose.



Washing the filter in the washing machine:

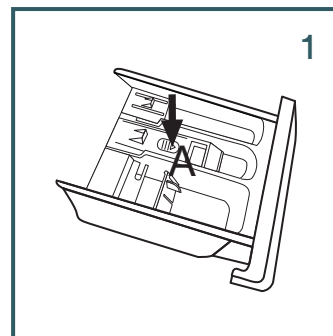
1. Screw off the inlet pipe from the rear of the machine.
2. Pull out the filter
3. Use a brush to clean the filter.
4. Reinstall the filter after being washed

NOTE: If the brush is not clean, you can pull out the filter washed separately; Reconnect, turn on the tap.

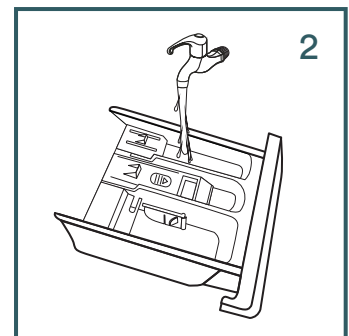
CLEANING THE DETERGENT DISPENSER

You should periodically follow these steps to ensure the detergent drawer remains clean.

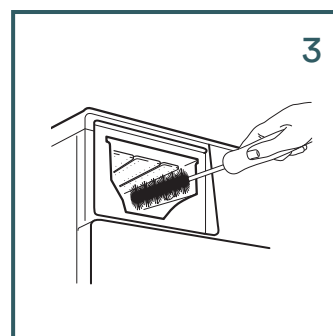
1. Press down the arrow location on softener cover inside the dispenser drawer.
2. Lift the clip up and take out softener cover and wash all grooves with water.
3. Restore the softener cover and push the drawer into position.



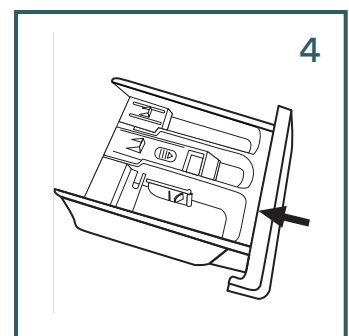
Pull out the dispenser drawer with press the A



Clean the dispenser drawer under water



Clean inside the recess with an old toothbrush



Insert the dispenser drawer

NOTE: Do not use alcohol, solvents or chemical products to clean the machine.

CLEANING THE DRAIN PUMP FILTER (REMOVING FOREIGN OBJECTS)

WARNING:

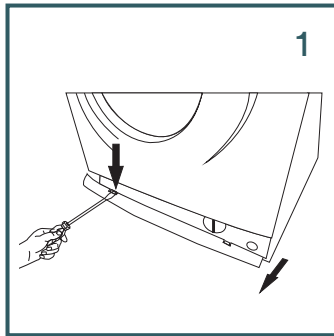
- Be careful of the hot water!
- Allow detergent solution to cool down.
- Unplug the machine to avoid electrical shock before washing.

Periodically you should clean the drain pump filter to ensure normal operation of your washing machine. The type of washing, frequency and soil level of your washing cycles will alter how often this procedure needs to be undertaken, however you should inspect the filter regularly.

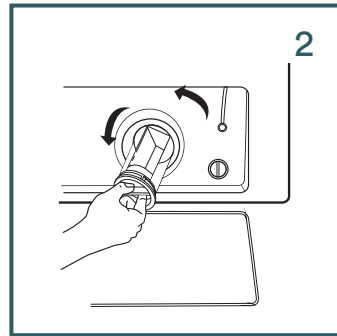
Should your washing machine not empty and/or spin, or your machine makes unusual noises during operation, your Drain Pump filter could be blocked. Follow this procedure to check or remove any foreign objects.

CAUTION:

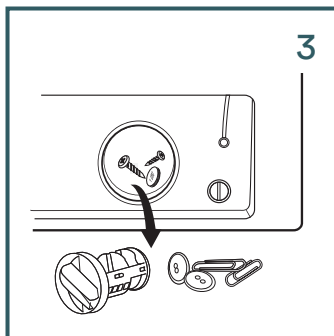
- Never remove the pump cover when the washing machine is in operation, always wait until the appliance has finished and the is empty. There can be hot water within the pump, so be careful to avoid burns, should it have operated recently. When replacing the cover, be careful to ensure it is securely retightened.
- Make sure that valve cap and emergency drain hose are reinstalled properly, cap plates should be inserted aligning to hole plates otherwise water may leak.
- Some machines don't have emergency drain hose, Rotate lower cover cap directly to make water run into the basin.



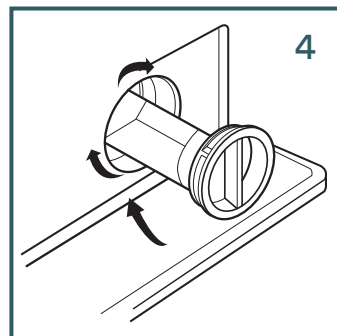
Open the service door



Open the filter by turning the filter counter clockwise



Remove any foreign objects or matter



Close the lower cover cap

Troubleshooting

WARNING

Only authorised technicians can carry out repairs.

Before contacting our customer service team, please refer to the table below to see if your fault can be fixed by yourself. Should a service technician visit be arranged and it's found there are no faults with the appliance, a call out charge will apply.

PROBLEM	SOLUTION
Washing Machine won't start-up	<ul style="list-style-type: none"> • Check that the mains plug is inserted and switched on at the power point. • Check that the door is closed securely or if clothes are stuck. • Check that the relevant fuse hasn't blown. • Check that the water supply tap has been opened.
Door won't open	<ul style="list-style-type: none"> • The machine's safety protection is working. Disconnect the power and reconnect the power.
Water is leaking	<ul style="list-style-type: none"> • The inlet pipe or outlet hose may not be tight enough or has cross threaded. • Check and fasten all water connection pipes. • Check that the inlet or outlet hose is not damaged. • Outlet hose could be blocked. Clean out outlet hose.
Indicator or display lights do not light up	<ul style="list-style-type: none"> • Check that the power isn't disconnected and the power plug is connected correctly. • PC board may have issues. Please contact our customer service team.
Detergent residues remain in the detergent drawer	<ul style="list-style-type: none"> • Ensure you are using a correct amount of detergent. • Follow the cleaning steps on page 13 to remove any damp residual detergent from the drawer.
Washing results aren't to expectations	<ul style="list-style-type: none"> • Ensure you are using a sufficient amount of detergent. • Ensure the correct quantity of clothes are being used depending on the wash program selected. • Ensure you are using the correct wash program to suit the clothing and level of dirtiness. • Try using an alternative detergent.
Washing machine is making an abnormal noise or vibrating	<ul style="list-style-type: none"> • Ensure the washing machine is level. • Ensure that all transportation bolts have been removed. • Ensure the appliance has been installed on a solid and level floor. • Ensure that all legs are making contact with the floor and adjust as required. • Follow the Cleaning the Drain Pump Filter procedure on page 14 to ensure there are no foreign objects.

INDICATION LIGHTS	PROBLEM	SOLUTION
Flashing Pause/Start light and Lock light (🔒)	Door is not closed properly	<ul style="list-style-type: none"> • Restart after the door is closed • Check if there are clothes or washing articles stuck in the door
Flashing No Spin light	Water injecting problem while washing	<ul style="list-style-type: none"> • Check if the water pressure is too low • Straighten the water pipe • Check if the inlet valve filter is blocked
Flashing No Spin and Pause/Start light	Overtime water draining	<ul style="list-style-type: none"> • Check if the drain hose is blocked
Flashing Extra Rinse light	Water overflow	<ul style="list-style-type: none"> • Restart the washer

Note: If the above steps don't resolve your issue or you cannot resolve the fault by yourself:

- Turn the program selector dial to the Off position.
- Switch off the appliance at the power outlet and remove the plug.
- Call our Support Team to arrange an authorised technician on 1300 11 HELP (4357).

Technical Specifications

Below outlines the technical specifications for your InAlto 5kg Front Load Washing Machine.

Washing Capacity	5.0kg
Dimensions (W x D x H mm)	595 x 470 x 850 mm
Net Weight	54kg
Rated Power	1950W
Power Supply	220-240V, ~50Hz
MAX. Current	10A
Standard Water Pressure	0.05MPa~1.0MPa

NOTE:

This product is subject to continuous improvement, specification are subject to change without prior notice. This product was tested in accordance with AS/NZS 2040.1:2005+Amdt1-2007+Amdt2-2009 using program: "Cotton Eco 60", which is the program recommended for a normally soiled cotton load at rated capacity.

RATING LABEL

INALTO

Front Load Washing Machine
Model: IFLW50

Normal Load	5.0kg
Rated Voltage	220-240V~
Max. Current	10A
Rated Frequency	50Hz
Rated Power	1950W
Water Pressure	0.05-1MPa
Grade of Waterproof	IPX4

Attach your receipt
to this page



Purchase Details

For future reference, please record the following information which can be found on the rating plate and the date of purchase which can be found on your sales invoice.

STORE DETAILS

STORE NAME | _____

ADDRESS | _____

TELEPHONE | _____ PURCHASE DATE | _____

PRODUCT DETAILS

MODEL NO. | _____

SERIAL NO.* | _____

Warranty Information

WARRANTY TERMS & CONDITIONS LAUNDRY APPLIANCES

This document sets out the terms and conditions of the product warranties for Residentia Group Appliances. It is an important document. Please keep it with your proof of purchase documents in a safe place for future reference should you require service for your Appliance.

1. **IN THIS WARRANTY**
 - (a) 'acceptable quality' as referred to in clause 10 of this warranty has the same meaning referred to in the ACL;
 - (b) 'ACL' means Trade Practices Amendment (Australian Consumer Law) Act (No.2) 2010;
 - (c) 'Appliance' means any Residentia Group product purchased by you accompanied by this document;
 - (d) 'ASR' means Residentia Group authorised service representative;
 - (e) 'Residentia Group' means Residentia Group Pty Ltd of 165 Barkly Ave, Burnley VIC 3121, ACN 600 546 656 in respect of Appliances purchased in Australia;
 - (f) 'major failure' as referred to in clause 10 of this warranty has the same meaning referred to in the ACL and includes a situation when an Appliance cannot be repaired or it is uneconomic for Residentia Group, at its discretion, to repair an Appliance during the Warranty Period;
 - (g) 'Warranty Period' means:
 - (i) where the Appliance is used for personal, domestic or household use (i.e. normal single family use) as set out in the instruction manual, the Appliance is warranted against manufacturing defects for 24 months, following the date of original purchase of the Appliance;
 - (h) 'you' means the purchaser of the Appliance not having purchased the Appliance for re-sale, and 'your' has a corresponding meaning.
2. This warranty only applies to Appliances purchased and used in Australia and is in addition to (and does not exclude, restrict, or modify in any way) any non-excludable statutory warranties in Australia.
3. During the Warranty Period Residentia Group or its ASR will, at no extra charge if your Appliance is readily accessible for service, without special equipment and subject to these terms and conditions, repair or replace any parts which it considers to be defective. Residentia Group or its ASR may use remanufactured parts to repair your Appliance. You agree that any replaced Appliances or parts become the property of Residentia Group. This warranty does not apply to light globes, batteries, filters or similar perishable parts.
4. Parts and Appliances not supplied by Residentia Group are not covered by this warranty.

-
5. You will bear the cost of transportation, travel and delivery of the Appliance to and from Residentia Group or its ASR. If you reside outside of the service area, you will bear the cost of:
 - (a) travel of an authorised representative;
 - (b) transportation and delivery of the Appliance to and from Residentia Group or its ASR, in all instances, unless the Appliance is transported by Residentia Group or its ASR, the Appliance is transported at the owner's cost and risk while in transit to and from Residentia Group or its ASR.
 6. Proof of purchase is required before you can make a claim under this warranty.
 7. You may not make a claim under this warranty unless the defect claimed is due to faulty or defective parts or workmanship. Residentia Group is not liable in the following situations (which are not exhaustive):
 - (a) the Appliance is damaged by:
 - (i) accident
 - (ii) misuse or abuse, including failure to properly maintain or service
 - (iii) normal wear and tear
 - (iv) power surges, electrical storm damage or incorrect power supply
 - (v) incomplete or improper installation
 - (vi) incorrect, improper or inappropriate operation
 - (vii) insect or vermin infestation
 - (viii) failure to comply with any additional instructions supplied with the Appliance;
 - (b) the Appliance is modified without authority from Residentia Group in writing;
 - (c) the Appliance's serial number or warranty seal has been removed or defaced;
 - (d) the Appliance was serviced or repaired by anyone other than Residentia Group, an authorised repairer or ASR.
 8. This warranty, the contract to which it relates and the relationship between you and Residentia Group are governed by the law applicable where the Appliance was purchased.
 9. To the extent permitted by law, Residentia Group excludes all warranties and liabilities (other than as contained in this document) including liability for any loss or damage whether direct or indirect arising from your purchase, use or non use of the Appliance.
 10. For Appliances and services provided by Residentia Group in Australia, the Appliances come with a guarantee by Residentia Group that cannot be excluded under the Australian Consumer Law. You are entitled to a replacement or refund for a major failure and for compensation for any other reasonably foreseeable loss or damage. You are also entitled to have the Appliance repaired or replaced if the Appliance fails to be of acceptable quality and the failure does not amount to a major failure. The benefits to you given by this warranty are in addition to your other rights and remedies under a law in relation to the Appliances or services to which the warranty relates.
 11. At all times during the Warranty Period, Residentia Group shall, at its discretion, determine whether repair, replacement or refund will apply if an Appliance has a valid warranty claim applicable to it.
 12. To enquire about claiming under this warranty, please follow these steps:
 - (a) carefully check the operating instructions, user manual and the terms of this warranty;
 - (b) have the model and serial number of the Appliance available;
 - (c) have the proof of purchase (e.g. an invoice) available;
 - (d) telephone the numbers shown below.
 13. You accept that if you make a warranty claim, Residentia Group and its ASR may exchange information in relation to you to enable Residentia Group to meet its obligations under this warranty.

IMPORTANT

Before calling for service, please ensure that the steps in point 12 have been followed.

→ Service: Please call 1300 11 HELP (4357)

The Australian Consumer Law requires the inclusion of the following statement with this warranty: Our goods come with guarantees that cannot be excluded under the Australian Consumer Law. You are entitled to a replacement or refund for a major failure and for compensation for any other reasonably foreseeable loss or damage. You are also entitled to have the goods repaired or replaced if the goods fail to be of acceptable quality and the failure does not amount to a major failure.

NEW ZEALAND WARRANTY TERMS & CONDITIONS LAUNDRY APPLIANCES

To help care for your investment, be sure to register your appliance online. Registration will help you if you need to arrange service in the future, and serves as a record of your purchase – including critical information like model number and serial number – that you can refer to at any time.

Simply visit the below website, or ask your retailer for help: <https://inalto.house/nz/registration>

WARRANTY:

These products are covered by a warranty for a period of 24 months from the date of purchase, subject to the following conditions*. The warranty covers rectification free of charge of any fault arising from defective materials or components, or faulty workmanship or assembly.

* The conditions above mentioned are:

1. That the purchaser carefully follows all instructions packed with the product;
2. That the purchaser and/or installer carefully follows the installation instructions provided and complies with electrical wiring regulations, gas and/or plumbing codes;
3. That the purchaser carefully follows instructions provided in the owner's handbook relating to the proper use and care of the product and does not use the product for any purpose other than the domestic use for which it has been designed;
4. Commercial use of the product for professional or industrial purposes will void this warranty.;
5. That the product was purchased and installed in New Zealand;
6. That this warranty does not extend to:
 - a) optional glass lids for hobs apart from claims which relate to mechanical or physical damage thereof at the date of purchase;
 - b) 'consumable' parts such as light bulbs or filters;
 - c) damage to ceramic glass caused by liquid or solid spill-overs, lack of maintenance, or impact;
 - d) damage to surface coatings caused by cleaning or maintenance using products not recommended by the owner's handbook;
 - e) defects caused by normal wear and tear, accident, negligence, alteration, misuse or incorrect installations;
 - f) a product dismantled, repaired or serviced by any serviceman other than an authorised service agent;
 - g) a product not in possession of the original purchaser;
 - h) damage caused by power outages or surges
 - i) damage caused by pests (eg. rats, cockroaches etc.)

7. That if the product is a freestanding microwave oven or small appliance it must be returned to the dealer/ retailer for servicing. These products, unless stated otherwise, have a 12 month warranty from original date of purchase with 24 months on the microwave magnetron; Waste disposers have a 12 month warranty.
8. The provision of service under this warranty is limited by a 25km boundary from the retailer where the product was purchased except for microwaves. Such travelling outside of these limits will incur commercial cost to be paid by you, regulated by the number of kilometres travelled beyond the 25km limit (50km return trip). Microwaves are to be delivered to the nearest authorised service agent by the customer.

Please refer to your user manual for any further conditions that may apply to your specific model.

Nothing herein contained shall be construed in any way as excluding or limiting your rights under the Consumer Guarantees Acts 1993.

For Service please visit www.applico.co.nz/service or contact the dealer/retailer from whom you purchased the product from or call the 0800 number listed below. If you are unable to establish the date of purchase, or the fault is not covered by this warranty, or if the product is found to be in working order, you will be required to bear all service call charges.

Registration of this warranty constitutes acceptance of the terms and conditions of this warranty.

Should you require any assistance, please call Customer Services on 0800 763 448.

Distributed by Applico Ltd.
www.applico.co.nz
July 2019

After registering your appliance online, we recommend you fill out the below information for your reference and keep this warranty card in a safe place.

THIS WARRANTY IS VALID IN NEW ZEALAND ONLY.

THIS PAGE IS INTENTIONALLY LEFT BLANK

AN INITIATIVE BY

RESIDENTIA GROUP

INALT[®] CLASSIQUE



E2447

TEL. 1300 11 4357
SUPPORT@RESIDENTIAGROUP.COM.AU
WWW.RESIDENTIA.GROUP